



Addressable Fire Alarm Isolator Module AW-D114

Product Overview

The isolator module of the fire alarm control system is a modular device connected to the loops. In the bus-based automatic fire alarm control system, a local bus failure, such as a short circuit, often occurs, and it often leads to the breakdown of the entire fire alarm control system. The isolator module in a fire alarm control system can prevent this from happening.

Isolator Module Working Principle

When the bus fails, the isolator module in the fire alarm control system can isolate the faulty bus part from the whole system, making sure that other parts of the system can work normally. Meanwhile, the isolator module also can help find out the faulty bus part. After the faulty part is repaired, the isolator module can back to work by itself, including the isolated part into the system again.

Isolator Module Function

The isolator module can prevent the circuit of a certain loop from being short-circuited or the ground from generating current back to the fire alarm control panel, affecting other fire loops. If one loop is short-circuited or grounded to generate current back to the fire alarm control panel, it may damage the fire alarm control panel loop board and the main board, resulting the damage to the fire alarm control panel. Installing isolators module in the loops of the fire alarm control system can protect the system and the normal operation of other loops.

Product Features

- Addressable-analog communication
- Two-wire connection
- Two LEDs one is Green, which blinks in normal condition and another one is Red which becomes steady during fire alarm condition.
- Remote test from Panel
- Automatically reset after correction of fault



BOH Company Limited

Nat Sin Street #102, Kyee Myin Dine Township, Yangon 11101, Myanmar
Dartu 2nd Street #170A, Ward 2, Hlaing Township, Yangon 11051, Myanmar
www.boh.com.mm, 01-7511610, 09768207455 tto@boh.com.mm

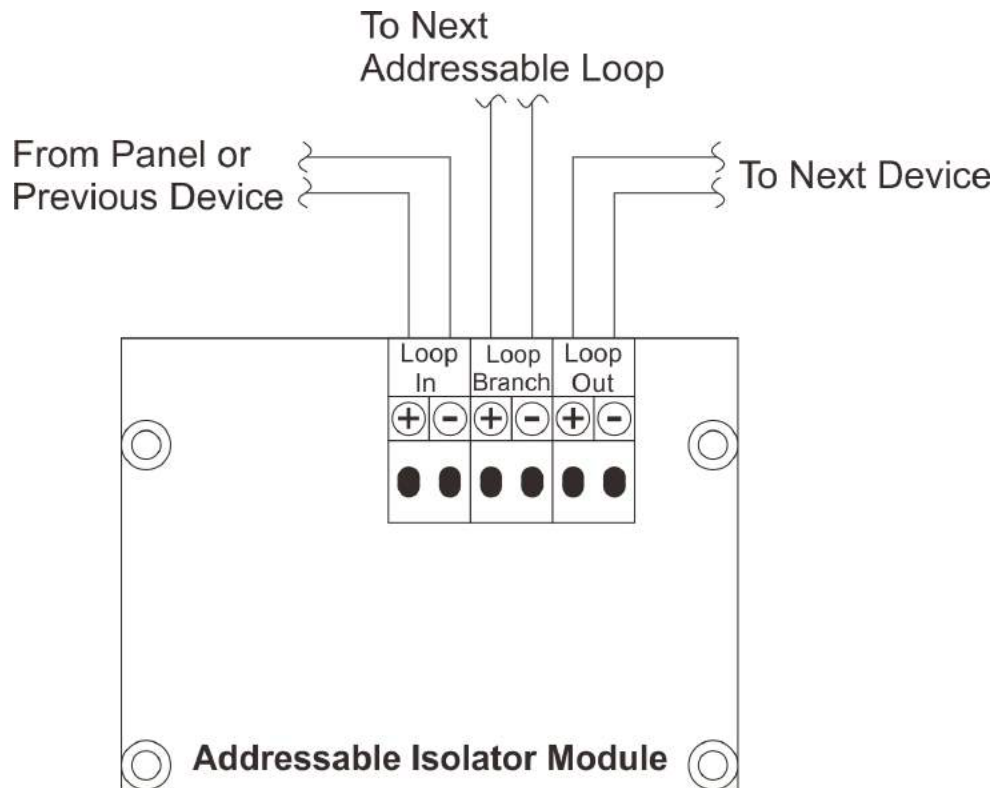
Technical Parameters

Model No.	AW-D114
Operating Voltage	18V-28V DC
Standby Current	≤ 25 mA
Alarm Current	≤ 80 mA
Output Current	≤900mA
Protection Level	IP 30
Temperature	-10°C~50°C

Installation

- AW-D114 addressable monitor module must be installed as per the final drawings and wiring diagram.
- Set the address on the monitor module using programmer.
- Secure the module in the electrical box, supplied with the monitor module.

Wiring Connection



BOH Company Limited

Nat Sin Street #102, Kyee Myin Dine Township, Yangon 11101, Myanmar

Dartu 2nd Street #170A, Ward 2, Hlaing Township, Yangon 11051, Myanmar

www.boh.com.mm, 01-7511610, 09768207455 tto@boh.com.mm